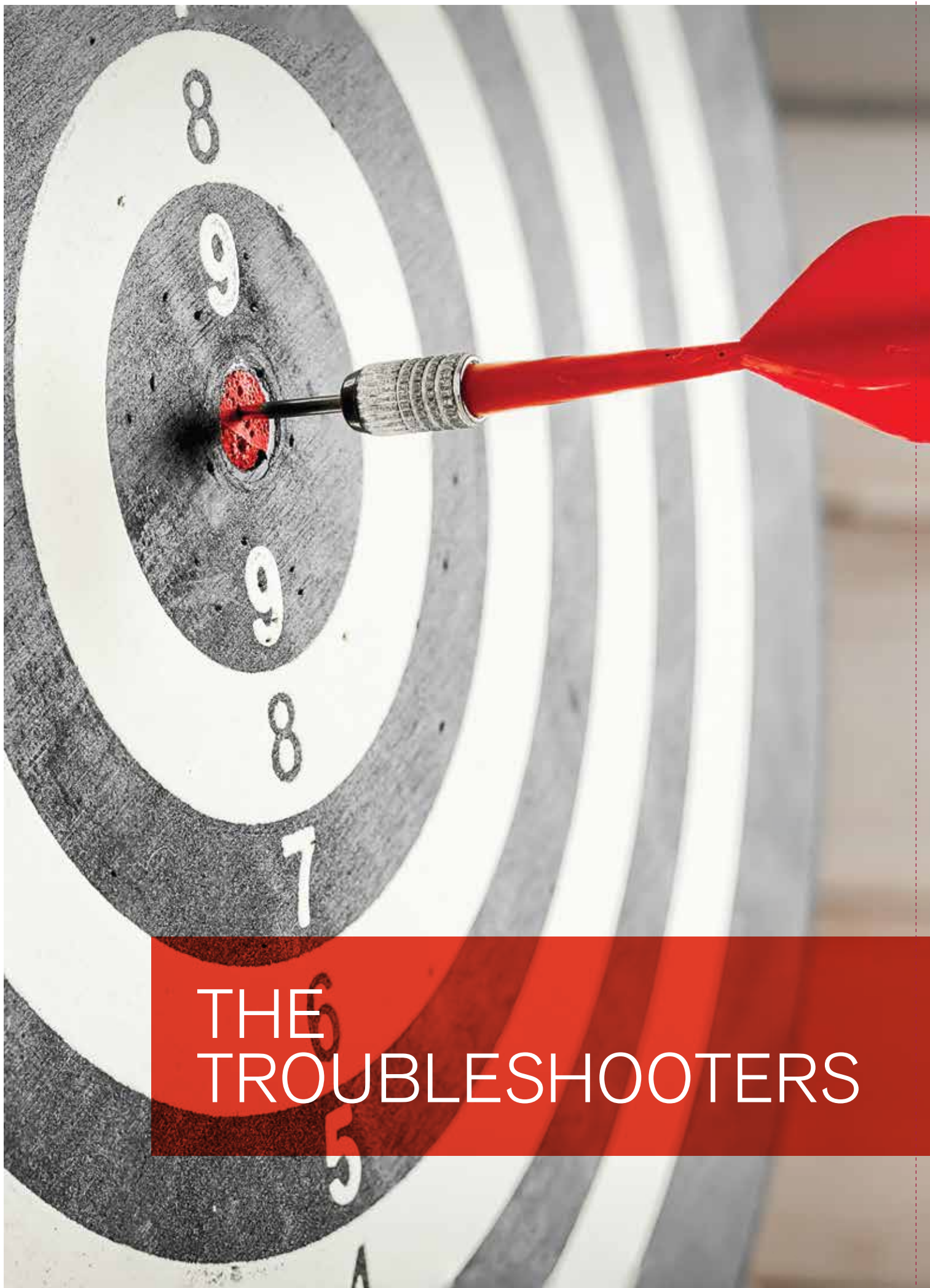




TUNGSTEN CARBIDE TOOLING





THE TROUBLESHOOTERS

We Are Solution Providers!

We are fully prepared to support you in your challenging situations. Be it extremely short lead-time for delivery of a new part or a change request at the last minute, we will not let your machine breakdown. Our flexibility makes us absolutely unique! Because of our multiple plants and efficient workforce, it's not an obligation, but it's a culture and habit at WORLES to keep you informed about the status of your every tool without bringing surprise at the last minute.

“

Someone at WORLES
is always working for you,
365 days, 24 X 7!

”





GUARANTEED
QUALITY, DELIVERY
AND TRACEABILITY



Our continuous re-investments in Hi-Tech Machines, Latest Technology and Training of people, makes us a consistent and dependable choice for Quality Tooling. Our IT systems track your order from the first to the very last step of manufacturing.

“

Working with us,
we guarantee you
will forget your
Tooling worries!

”



THE GLOBAL COMPANY

	TARİH	İSİM	MUSTAFA
ÇİZEN	31.05.2012		P/N or
KONTROL			TEZ
ONAY			



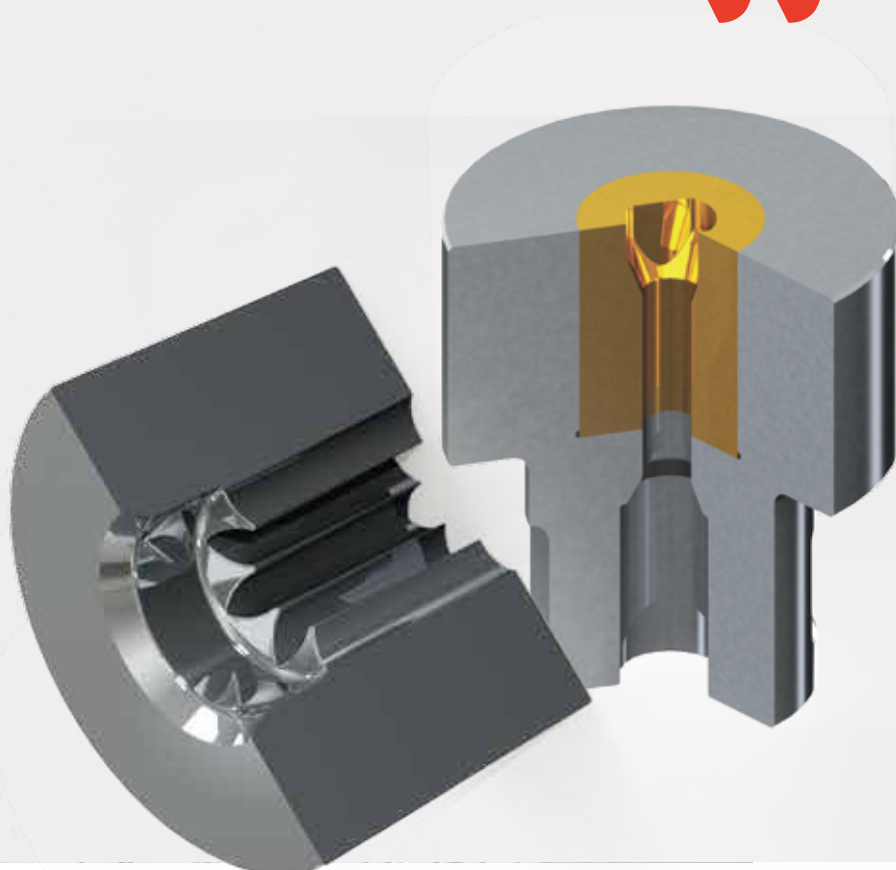
45 YEARS OF EXCELLENCE
ANU Group
1973-2018

We bring to you a synergy of best technology, years of experience coupled with selection of best raw material for high tool life. Our multiple manufacturing facilities in Joint Venture with India's leading tool manufacturer – ANU Group, makes us reach out to your multiple manufacturing facilities across the globe.

“

We continuously
reinvest to grow at your pace.

”





For Solutions, Please Contact:

WORLES S.L.

Passeig del Ferrocarril, 337 2-4,
E-08860 Castelldefels, Barcelona, Spain
Tel/Fax: +34 93 645 54 28

